



# June



## ST. MATTHEW'S MESSENGER

### **Be Known for What You're For**

When it comes to doctrinal teachings, Christians are often known for what we're *against* rather than what we're *for*. What people know about Christian churches, and certainly our Wisconsin Synod, St. Matthew's in particular, and specifically individual Christians like you and me is that we are *against* a good many things. We are against abortion. We are against extra-marital sex, or living together before you're married. We condemn the sin of homosexuality. We we teach against Darwinian evolution. We are against open communion. It is even fairly common knowledge that Lutherans are against following the false teachings of the Pope who claims to be the divine substitute for Christ on earth.

In all of these examples, and many more, we do not have a choice. God has commanded us to stand up against false teachings and other sins that contradict his Word, do harm to us and others, and lead people away from the Lord and into eternal punishment. Again and again God tells us in his Word to "Watch out for them," and "Warn them," out of love for their own souls. James 5:20 says, "Whoever turns a sinner from the error of their way will save them from death and cover over a multitude of sins." We cannot sit idly by as people around us are drawn into the appealing false teachings that are so prevalent in our sinful world. Love for our Lord and his Word, love for lost souls, and love for our own blood-bought souls demands that we stand up against sin and false teachings.

But wouldn't it be better if the followers of Jesus were known more for what we're *for* rather than what we are *against*? Just imagine if the thought that came to most people's minds about Christians wasn't that we're against abortion, but that we are *for* loving and caring for our neighbors no matter how young (from conception) or old they are. Imagine if people in our communities recognized first and foremost that Christians are *for* the joy and blessedness of marriage and sexuality according to God's commands rather than just that we are against homosexuality and extra-marital sex. Or that we are *for* close communion rather than just against open communion.

How do we make that change? How do we turn our reputation from what we are *against*—to what we are *for*? Of course, God has the answer for us in his Word. He says (James 1:22), "Do not merely listen to the word, and so deceive yourselves (and others). Do what it says." We can make that change by openly living our lives in the joy of following God's truth. We do that by showing respect for God's gifts of marriage and sex. We can boast about the blessedness God richly pours out when we follow his instructions for our marriages. We can speak as freely about the blessings God gives us in a marriage as our co-workers might be speaking crudely about it. We can make it clear to our children in our words and actions that marriage is a rich blessing rather than a burden.

We can tell others of the joy of knowing that God created the world as he says in the Bible. We rejoice that he is our creator and that we joyfully live under his blessed rule rather than believing that all things (including our lives) came about completely by chance and have no lasting value.

We can partake of his Holy Supper under the blessing of close communion regularly and joyfully. We can speak of the special comfort of close communion, that we know those who commune with us are trained to receive the Lord's body and blood properly rather than to their condemnation. And we are filled with comfort to know that those who commune with us are truly united in faith. We can be active in our communities to serve others. Taking meals to a family when a child is born to help them in those difficult early days, and giving them gifts to celebrate the blessing of a new child. We can keep an eye out for our elderly neighbors. Teach our children to seek out ways to help those in need: raking lawns, mowing grass, moving a heavy piece of furniture.

Our actions will speak louder than our words, so by our actions along with our words we can show God's love for those good things which false teachings tear down: life, marriage, God's Word, the Lord's Supper and the list goes on. Christians are *for* the best things in the world and in the world to come. So let's joyfully make use of them, boldly proclaim them, and share them with others so that they too may know the joys of everything our God is *for*, since it's not only our own reputations we are working for, but the reputation of our loving God too.

Have a blessed first month of summer!

*Pastor Silas Schmitzer*

## St. Matthews Church Council Meeting

May 13, 2019

Council members present: Pastor Schmitzer, Principal James Otto, Mike Alderman, Perry Kilmer, Doug Miller, Mike Everson, Pastor Liggett, John Shepherd, Sam Vanden Heuvel and Tim Stellick.

Meeting called to order by Perry Kilmer at 6:30 pm.

Devotion read by Pastor Schmitzer based on 1John 3:5.

Secretary's report: attached; MSP.

Treasurer's report: attached: MSP.

Pastor's report: attached with highlights; 1) Busy month with Lent and Easter. 2) Attended "Renewed in Grace" in SanAntonio. 3) Confirmation examination May 7. 3) Member requesting some financial assistance; Motion made and passed to give \$200. 4) Request to start up Mornings with Mommy program. Motion made and passed to allow program to start in the fall, and support with paying the \$350 for the curriculum.

Elder's report: did not meet, no report.

Outreach Oversight Committee: no report.

Principal's report: attached, with highlights: 1) Update on safety grant and request to complete the installation on security system; motion made and passed to \$1500 from maintenance fund. 2) Consider renaming conference expenses to Professional Development.

School Board report: covered in the Principal's report.

Luther High School: New budget to include a 2% increase in wages, 4% increase in tuition. Big Knight had a record of raising 108K. Enrollment for next school year expecting 255.

Building and grounds: 1) leaking of roof being investigated, asking for bids for roof replacement. 2)Area near front door cement slab needs replacement.

Cemetery Sextant report mowers up and running.

Planned Giving: discussed funds to go to Luther and Synod school students.

Old Business: no old business.

New Business: Discussed proposed budget to be presented to voters meeting in June.

Next meeting: June 10, 2019

Adjourned with prayer at 8:30.

Respectfully submitted,  
Doug Miller, Secretary

# 4<sup>th</sup> Annual WELS Night at the Loggers

Sunday June 30<sup>th</sup> | 5:05pmn | The Lumberyard

**Sunday, June 30<sup>th</sup>**, the Loggers will be playing the Wilmar Stingers. Gates open at 4:00 p.m. at Copeland Park in La Crosse, WI for a **5:05 p.m. game time. Ticket price is \$10.00 which includes a reserved bleacher back seat and a Loggers hat!** The La Crosse Loggers organization will return \$5.00 of that price to the Friends of Luther as a fundraiser. **Be sure to mention you are part of the WELS night** to get tickets with our group. **For your ticket to be a part of the fundraiser, you must purchase by Friday, June 21st.**

All tickets will be purchased through the Logger's office. Their address is 1225 Caledonia St in La Crosse; the phone number is 608-796-9553. You may also order tickets online at [lacrosseloggers.com](http://lacrosseloggers.com) using the promo code WELS. Be aware there is a \$1.75 processing fee per ticket when ordering online. For the best seating options, order early!

If you would like to **throw out the first pitch, sing the National Anthem** or **be the honored Veteran** for the evening, please call Carla Korthals at 608-269-1675 and let her know by May 31<sup>st</sup>. No phone calls will be made to solicit for these opportunities, so if you wish to have one of our members doing these, someone will need to volunteer!

# WELS



## 2019 Book of Reports and Memorials available online

2019/05/07 / in Together

The 2019 *Book of Reports and Memorials* is now available online. This book summarizes the activities of each WELS area of ministry over the last year and contains the proposed ministry financial plan for the next biennium. The information in the *Book of Reports and Memorials* will help guide the 400 delegates at WELS' 65th biennial convention, which is being held at Martin Luther College, New Ulm, Minn., July 29–Aug. 1, under the theme “For the Generations to Come.”

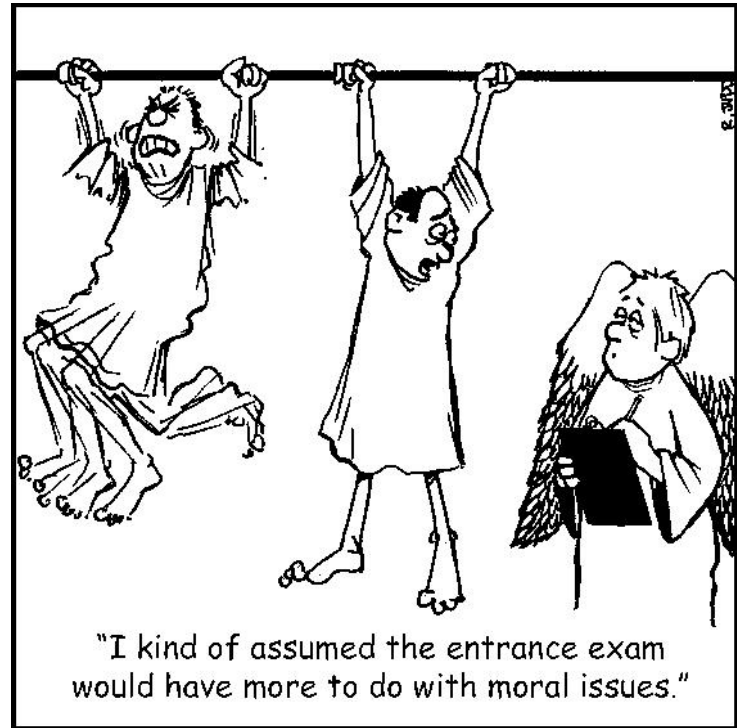
“This theme emphasizes the privilege and responsibility that we have to hold on to God’s saving truth for ourselves and to pass it down to those who will come after us,” says WELS President Rev. Mark Schroeder. “Convention worship, essays, and decisions will focus on that theme and highlight the challenges and privileges we will have as we carry out the mission that God has given to us.”

Schroeder also notes that major items for consideration at the 2019 convention include the proposed ministry financial plan (budget) for 2019–21, the recognition of full fellowship with two Lutheran church bodies, and the plans for a concerted effort to assist congregations to remain spiritually healthy.

Twenty memorials are also included in the *Book of Reports and Memorials*. A memorial is a formal request to the synod convention for specific action.

One printed copy of the *Book of Reports and Memorials* is being mailed to each delegate, congregation, and male called worker. These printed copies should arrive before the end of May.

To view the online version of the *Book of Reports and Memorials*, visit [wels.net/2019synodconvention](http://wels.net/2019synodconvention) and look under “Key convention documents.”



"I kind of assumed the entrance exam would have more to do with moral issues."

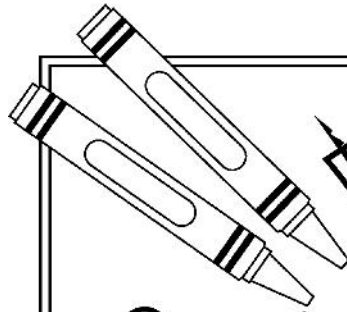


"He's using the devotional we gave him for Father's Day."





# Puzzle Page



# PUZZLE

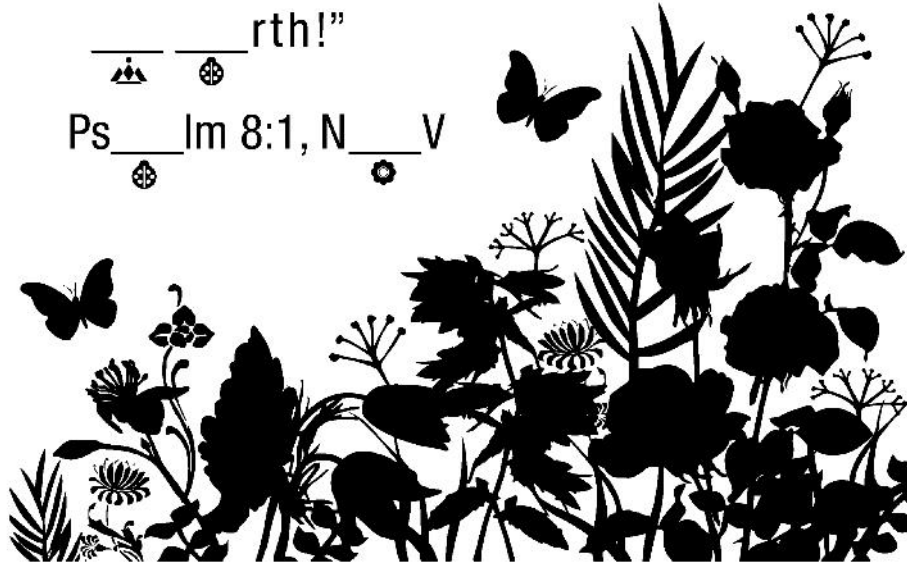
## Spring's Beauty

During springtime, the beauty of God's creation emerges in many ways.

Directions: Use the vowel code below to complete Psalm 8:1, NIV.

A= E= I= O= U=

"L\_\_RD, \_\_ \_\_ r L\_\_rd, h \_\_w  
  
 m\_\_ j\_\_ st\_\_ c \_\_ s y\_\_ \_\_ r  
  
 n\_\_ m\_\_ \_\_ n \_\_ ll th\_\_  
  
 \_\_ \_\_ rth!"  
  
 Ps\_\_lm 8:1, N\_\_V



Answer: "LORD, our Lord, how majestic is your name in all the earth!"  
Psalm 8:1, NIV